

Lighting / Lighting accessories / Connectors / Airtop wireless charger

Product data sheet




## Airtop wireless charger

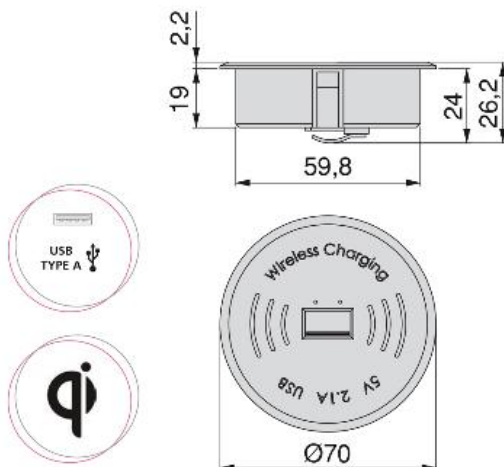
Connectors



### Specifications

Input	Output		Cod.	Finishing
100-240V AC - 50/60Hz	USB 5V DC - 2,1A Qi 5V DC - 700 mA	1	5017517	Black plastic

### Diagram



## Assembly



## Documents and tools available to download



Assembly ( PDF )