

Product data sheet



Mickey 2

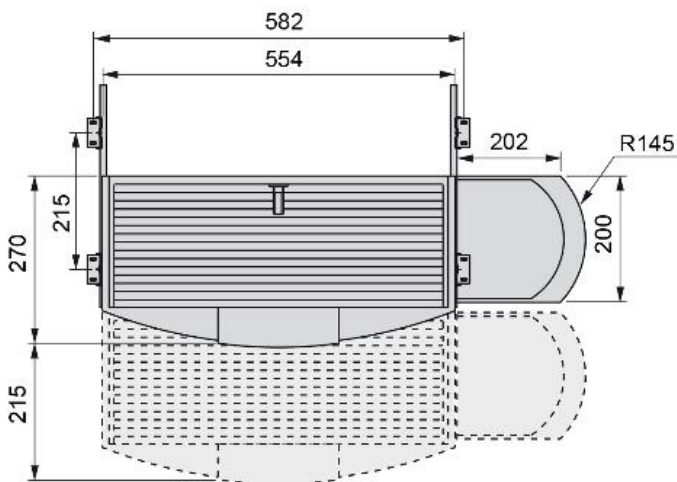
Keyboard platforms

 AIDIMA

Specifications

	Cod.	Finishing
5	4193121	Grey plastic

Diagram



Assembly

